

Pallet Specification Sheet

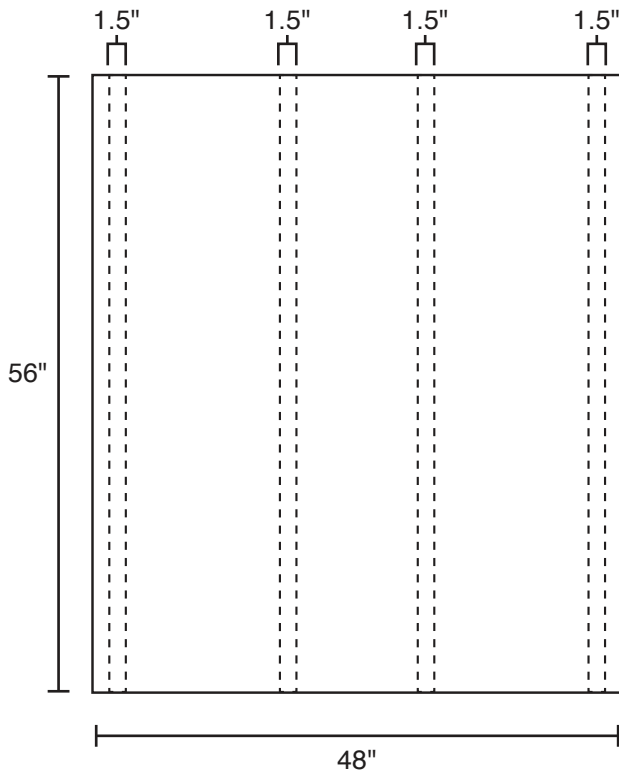
Pallet ID: ppc4856-4SF-WP

Stackable Pallet

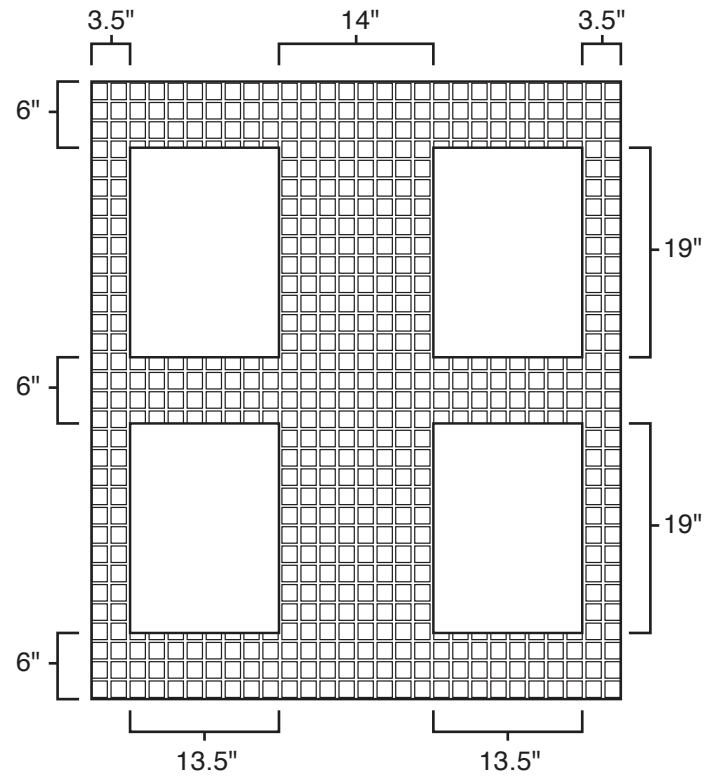


G. PHILLIPS & SONS

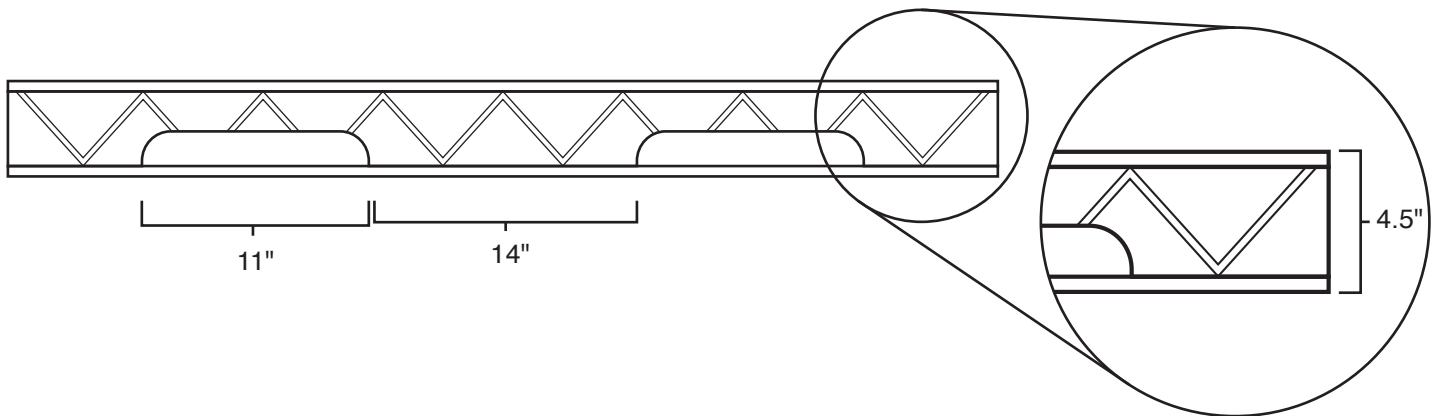
Top View:



Bottom View:



Side View:



Components & Specifications:

Dimensions: 48" x 56" x 4.5" Dynamic Capacity: 2,500lbs All parts made of recycled plastic
Weight: 69.5lbs Static Capacity: 15,000lbs
Stackable 55 #10-12X1-1/2 Screws

Northern United States: 248-961-3360
Southeast United States: 678-232-6047
South West USA, Canada,
Mexico and International: 251-978-1697



G. PHILLIPS & SONS

gphillipsandsons.com